

**E-Series 4-Way 0° Power Divider**  
2 – 1000 MHz

ES-4-7  
V2

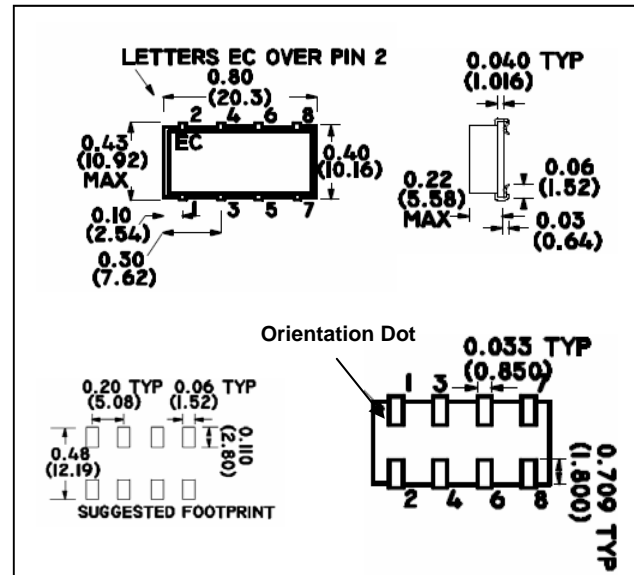
**Features**

- 4-Way
- 0°
- Surface Mount
- Tape and reel packaging available

**Description**

M/A-COM's ES-4-7 is a 4 Way 0° Power Divider in a low cost, surface mount package. Ideally suited for high volume cellular and wireless applications. Parts are packaged in tape & reel.

**SM - 46 Package**



**Electrical Specifications:  $T_A = 25^\circ\text{C}$ ,  $Z_0 = 50\Omega$ <sup>1</sup>**

Parameter	Test Conditions	Frequency	Units	Min	Typ	Max
RF Frequency	—	2 - 1000	MHz	—	—	—
Insertion Loss	$F_L - f_U$	2 - 20	dB	—	0.5	0.8
		20 - 500	dB	—	0.7	1.1
		500 - 1000	dB	—	0.8	1.5
Isolation	$F_L - f_U$	2 - 20	dB	20	35	—
		20 - 500	dB	20	35	—
		500 - 1000	dB	15	23	—
Input & Output Return Loss	$F_L - f_U$	2 - 1000	dB	15.0	—	—
Amplitude Unbalance	$F_L - f_U$	2 - 20	dB	—	—	0.1
		20 - 500	dB	—	—	0.2
		500 - 1000	dB	—	—	0.5
Phase Unbalance	$F_L - f_U$	2 - 20	Degrees	—	—	1°
		20 - 500	Degrees	—	—	5°
		500 - 1000	Degrees	—	—	10°

**Ordering Information**

Part Number	Package
ES-4-7TR	Tape and Reel (300 piece Reel)

M/A-COM Inc. and its affiliates reserve the right to make changes to the product(s) or information contained herein without notice. M/A-COM makes no warranty, representation or guarantee regarding the suitability of its products for any particular purpose, nor does M/A-COM assume any liability whatsoever arising out of the use or application of any product(s) or information.

**E-Series 4-Way 0° Power Divider**  
2 – 1000 MHz

ES-4-7  
V2

**Absolute Maximum Ratings <sup>1</sup>**

Parameter	Absolute Maximum
Maximum Power Rating	1 Watt
Internal Load Dissipation	0.125 Watt
Pin Temperature (10 Sec)	260°C
Operating Temperature	-0°C to +70°C
Operating Temperature <sup>2</sup>	-40°C to +85°C
Storage Temperature	-55°C to +125°C

1. Operation of this device above any one of these parameters may cause permanent damage.
2. Operating temperature @ 19.8 MHz

**Pin Configuration**

Pin No.	Function
1	Ground
2	Port 1
3	Input
4	Port 2
5	Ground
6	Port 3
7	Ground
8	Port 4